

# *James*

BY SONANCE

VISUAL EXPERIENCE SERIES WITH QUADRATECH

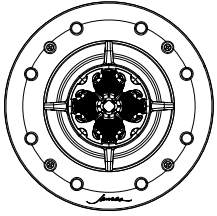
VXQ48 | VXQ68 | VXQ88  
VXQ48R | VXQ68R | VXQ88R

**INSTALLATION AND SUPPORT MANUAL**

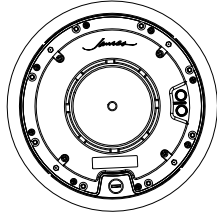
## VISUAL EXPERIENCE SPEAKERS

VXQ48 | VXQ68 | VXQ88

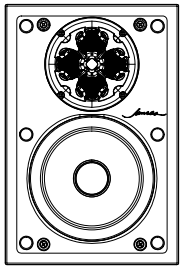
VXQ48R | VXQ68R | VXQ88R



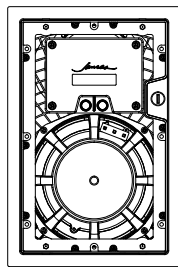
FRONT VIEW  
ROUND



BACK VIEW  
ROUND



FRONT VIEW  
RECTANGLE



BACK VIEW  
RECTANGLE

## TABLE OF CONTENTS

2	Box Contents
2	Introduction
2	Important Safety Information
2	Installation
3	Grille Painting
4	Technical Specifications
5	Warranty

## BOX CONTENTS

- (1) Cutout Template/Quickstart Guide
- (2) VXQ Model Speakers
- (2) Paintable Grilles

## INTRODUCTION

Thank you for selecting James by Sonance Visual Experience Speakers with Quadratech. Sonance has over four decades of experience in premium distributed audio. Please take the time to carefully read through the manual, study the illustrations and system diagrams. This extra time can lead to trouble-free operation and continued musical enjoyment.

**IMPORTANT: Read this section in its entirety before attempting use of speaker.**

## IMPORTANT SAFETY INSTRUCTIONS

Always follow these basic safety precautions when using your speakers to reduce the risk of fire, electric shock, and injury to people or objects.

1. Read all the safety and operating instructions before operating the speaker and retain them for future reference.
2. Adhere to all warnings and precautions listed on the speaker and in the operating instructions.
3. Follow all operating instructions.

## INSTALLATION

1. Determine the location for the speaker.
2. Perform an obstruction survey to be certain that there are no studs, conduit, pipes, heating ducts, pocket doors, or air returns in the wall cavity that will interfere with the speaker.
3. Position the included cutout template desired speaker placement and pencil an outline on the wall or ceiling. If you are unsure about obstructions, drill a small hole in the center of the outline and insert a coat hanger wire into the hole to feel-around for possible obstructions.
4. Cut the mounting hole using tools appropriate for the construction, and run the speaker wires from the mounting hole to the amplifier location.

**IMPORTANT: Consult local building codes before running speaker wires through walls.**

5. Strip 1/4" - 1/2" (6mm - 13mm) of insulation from each speaker lead. Twist the strands or tin the exposed wire with solder to ensure there are no stray strands.

**Stray strands that touch each other can cause a short-circuit that can damage the amplifier.**

For open back VXQ installations, please follow steps 6a and 6b. For VXQ models that have the enclosure installed onto the speaker from the factory, please follow steps 7a and 7b.

## VXQ INSTALLATION: OPEN BACK

- 6a. The speaker's connector posts are spring-loaded.
- 6b. Push the top of each connector post down to open the connector and insert the exposed wires into the holes in the posts (see Figure 1). The speaker's positive post is labeled with a red dot; the negative post is labeled with a black dot.

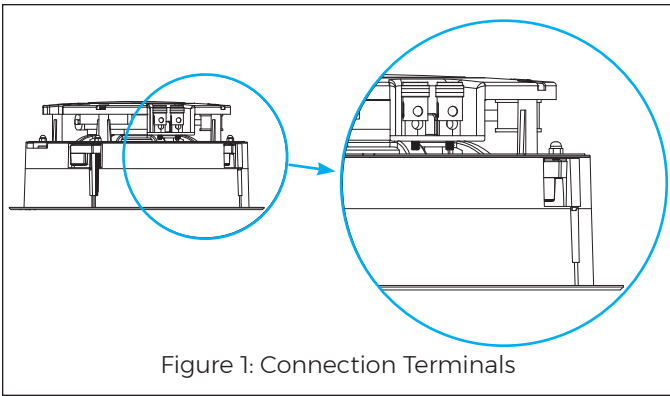


Figure 1: Connection Terminals

## VXQ INSTALLATION: WITH ENCLOSURE

- 7a. VXQ models with an enclosure installed onto the back (installed from the factory) include a water tight cable gland and 1m of flying leads attached.
- 7b. Use weatherproof wire nuts or lever-latch wire connectors to join the “+” to “+” and “-” to “-” from the speaker to the speaker wire leads that have been run to the location (see Figure 2).

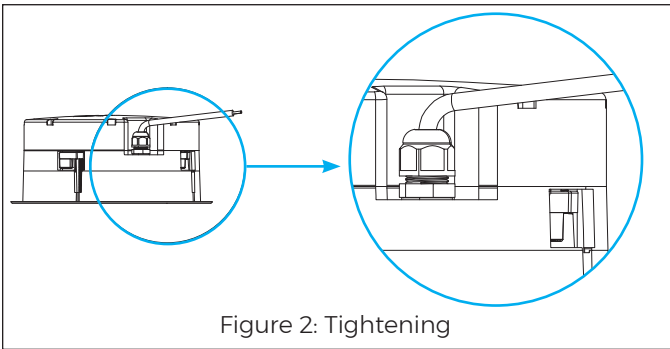


Figure 2: Tightening

8. After making all connections, double-check that you connected amplifier “+” to speaker “+” and amplifier “-” to speaker “-”.

James Visual Experience Series Speakers feature an exclusive integral RotoLock® mounting system for quick mounting directly into existing walls and ceilings.

9. Make sure all Roto-Lock toggle feet are retracted so that they are tucked within the frame (see Figure 3).

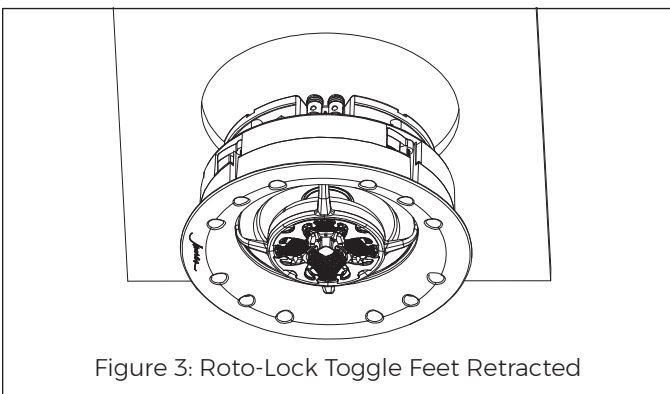


Figure 3: Roto-Lock Toggle Feet Retracted

## INSTALLING INTO THICKER SURFACES

The Sonance Roto-Lock system can accommodate material thicknesses up to 1.5” (38mm) out of the box. For deeper substrates that are up to 1.9” (49mm) thick, remove the tip of the Roto-Lock toggles before inserting the speaker into the cutout opening. To remove the toggle feet, with the toggle flange extended from the speaker, use a Phillips head screwdriver and loosen from the back of the toggle until it can be separated from the toggle flange (see Figure 4).

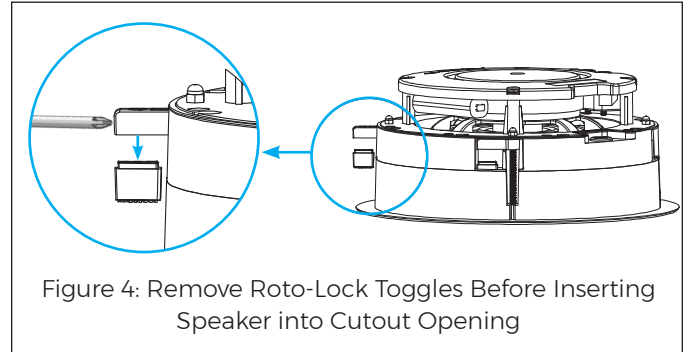


Figure 4: Remove Roto-Lock Toggles Before Inserting Speaker into Cutout Opening

1. Insert the speaker into the mounting hole and tighten the four screws on the front of the speaker baffle (see Figure 5).

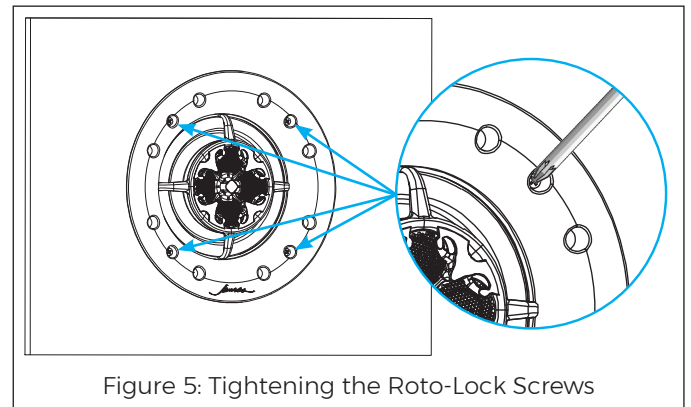


Figure 5: Tightening the Roto-Lock Screws

2. The Roto-Lock clamps will automatically rotate into position and begin clamping the speaker.

**IMPORTANT: Always use low-torque settings when using a screw gun and go very slowly ; never over tighten.**

**IMPORTANT: Adjusting the tension of the Roto-Lock Clamps so that the speaker frame is flat will help ensure that the grille contacts the wall all the way around the speaker for a proper fit.**

3. Test audio playback by turning on the amplifier and source to play a signal to the speakers.

## PAINTING THE GRILLES

Visual Experience Series speaker grilles completely cover the exposed speaker frame, so only the grilles (not the speakers themselves) require painting.

1. Remove and save the scrim cloth from the back of the grille.
2. Prime the grille with a metal primer/bonder in a spray can. Carefully follow the manufacturer's directions on the can.

3. We recommend using water-based latex paint on the grilles. Thin the paint with a proper thinning agent to a ratio of 1:1 paint-to-thinner, and strain it through a standard mesh strainer to remove any lumps.
4. Use a small touch-up gun or cap-spray gun with a #3 tip for painting.
  - Set the nozzle with a medium to wide fan.
  - Set the pressure regulator to 60psi.
  - Lightly spray the front of the grille in three quick strokes from approximately 10" away.
  - Let the paint set for a minute, then turn the grille 90° and lightly spray the grille again in three quick strokes.
  - Repeat this step until all four sides of the grille have been evenly painted.
5. While the paint is still wet, inspect the grille and make sure that excess paint has not collected underneath the grille frame, and that none of the grille perforations are filled with paint. If any are, use compressed air to blow the paint out of the perforations.

**IMPORTANT: If you find any grille perforations that are plugged with paint after the paint has dried, use a straight pin or sewing needle to carefully remove the paint.**

6. Optional step. Reattach the scrim cloth to the back of the grille once the paint has dried. You may need to use an extremely light single pass coating of 3M Super 77 spray adhesive.
7. Once the paint has thoroughly dried, attach the grille on the speaker.

## TECHNICAL SPECIFICATIONS

### VXQ48

Tweeter	0.50" (12mm) Four titanium domes, Ferrofluid-cooled, acoustic back chamber
Woofer	4.5" (114mm) Aluminum cone, Santoprene surround
Dispersion Technology	Quadratech Tweeter with Cymatic Diffuser
Frequency Response	50Hz - 20kHz ±3dB
Impedance	8 ohms nominal; 6 ohms minimum
Power Handling	5 watts minimum; 100 watts maximum
Sensitivity	90dB SPL (2.83V/1 meter)
Mounting Technology	1-stage, 4 x RotoLock® Clamps
Micro Trim Grille (WxH)	5.49" x 8.82" (139.5mm x 224.1mm)
Trimless Grille (WxH)	5.13" x 8.46" (130.2mm x 214.8mm)
Speaker Mounting Depth (D)	2.77" (70.5mm)
Mounting Depth + Encl.	3.86" (98mm)
Cut-Out Dimensions (WxH)	4.625" x 8" (117mm x 203mm)
Shipping Weight	6 lbs. (2.8kg)

### VXQ68

Tweeter	0.75" (19mm) four titanium domes, Ferrofluid-cooled, acoustic back chamber
Woofer	6.5" (165mm) Aluminum cone, Santoprene surround
Dispersion Technology	Quadratech Tweeter with Cymatic Diffuser
Frequency Response	40Hz - 20kHz ±3dB
Impedance	8 ohms nominal; 6 ohms minimum
Power Handling	5 watts minimum; 150 watts maximum
Sensitivity	90dB SPL (2.83V/1 meter)
Mounting Technology	1-stage, 4 x RotoLock® Clamps
Micro Trim Grille (WxH)	8.24" x 12.13" (209.4mm x 308.2mm)
Trimless Grille (WxH)	7.88" x 11.77" (200.1mm x 298.9mm)
Speaker Mounting Depth (D)	3.34" (84.9mm)
Mounting Depth + Encl.	3.86" (98mm)
Cut-Out Dimensions (WxH)	6.9375" x 10.75" (176mm x 273mm)
Shipping Weight	10 lbs. (4.5kg)

## TECHNICAL SPECIFICATIONS

### VXQ88

Tweeter	1" (25mm) four titanium domes, Ferrofluid-cooled, acoustic back chamber
Woofer	8" (203mm) Aluminum cone, Santoprene surround
Dispersion Technology	Quadratech Tweeter with Cymatic Diffuser
Frequency Response	30Hz - 20kHz ±3dB
Impedance	8 ohms nominal; 6 ohms minimum
Power Handling	5 watts minimum; 175 watts maximum
Sensitivity	91dB SPL (2.83V/1 meter)
Mounting Technology	1-stage, 6 x RotoLock® Clamps
Micro Trim Grille (WxH)	9.73" x 15.89" (247.2mm x 403.5mm)
Trimless Grille (WxH)	9.37" x 15.52" (238mm x 394.3mm)
Speaker Mounting Depth (D)	3.48" (88.5mm)
Mounting Depth + Encl.	3.86" (98mm)
Cut-Out Dimensions (WxH)	8.5" x 14.5" (216mm x 368mm)
Shipping Weight	20 lbs. (9kg)

### VXQ48R

Tweeter	0.50" (12mm) four titanium domes, Ferrofluid-cooled, acoustic back chamber
Woofer	4.5" (114mm) Aluminum cone, Santoprene surround
Dispersion Technology	Quadratech Tweeter with Cymatic Diffuser
Frequency Response	50Hz - 20kHz ±3dB
Impedance	8 ohms nominal; 6 ohms minimum
Power Handling	5 watts minimum; 100 watts maximum
Sensitivity	90dB SPL (2.83V/1 meter)
Mounting Technology	1-stage, 3 x RotoLock® Clamps
Round Micro Trim Grille (Dia)	6.78" (172.3mm)
Round Trimless Grille (Dia)	6.42" (163mm)
Square Micro Trim Grille (WxH)	6.78" x 6.78" (172.2mm x 172.2mm)
Square Trimless Grille (WxH)	6.42" x 6.42" (163.0mm x 163.0mm)
Speaker Mounting Depth (D)	3.74" (95.1mm)
Mounting Depth + Shallow Encl. (D)	3.92" (99.6mm)
Mounting Depth + Deep Encl. (D)	5.92" (150.4mm)
Cut-Out Dimensions (Dia)	5.875" (149mm)
Shipping Weight	6 lbs. (2.8kg)

## TECHNICAL SPECIFICATIONS

### VXQ68R

Tweeter	0.75" (19mm) four titanium domes, Ferrofluid-cooled, acoustic back chamber
Woofer	6.5" (165mm) Aluminum cone, Santoprene surround
Dispersion Technology	Quadrtech Tweeter with Cymatic Diffuser
Frequency Response	40Hz - 20kHz ±3dB
Impedance	8 ohms nominal; 6 ohms minimum
Power Handling	5 watts minimum; 150 watts maximum
Sensitivity	90dB SPL (2.83V/1 meter)
Mounting Technology	1-stage, 4 x RotoLock® Clamps
Round Micro Trim Grille (Dia)	9.64" (244.8mm)
Round Trimless Grille (Dia)	9.28" (235.6mm)
Square Micro Trim Grille (WxH)	9.64" x 9.64" (244.8mm x 244.8mm)
Square Trimless Grille (WxH)	9.28" x 9.28" (235.6mm x 235.6mm)
Speaker Mounting Depth (D)	3.8" (96.4mm)
Mounting Depth + Shallow Encl. (D)	3.92" (99.6mm)
Mounting Depth + Deep Encl. (D)	5.92" (150.4mm)
Cut-Out Dimensions (Dia)	8.25" (210mm)
Shipping Weight	10 lbs. (4.5kg)

### VXQ88R

Tweeter	1" (25mm) four titanium domes, Ferrofluid-cooled, acoustic back chamber
Woofer	8" (203mm) Aluminum cone, Santoprene surround
Dispersion Technology	Quadrtech Tweeter with Cymatic Diffuser
Frequency Response	30Hz - 20kHz ±3dB
Impedance	8 ohms nominal; 6 ohms minimum
Power Handling	5 watts minimum; 175 watts maximum
Sensitivity	91dB SPL (2.83V/1 meter)
Mounting Technology	1-stage, 4 x RotoLock® Clamps
Round Micro Trim Grille (Dia)	11.54" (293.2mm)
Round Trimless Grille (Dia)	11.17" (283.8mm)
Square Micro Trim Grille (WxH)	11.54" x 11.54" (293.1mm x 293.1mm)
Square Trimless Grille (WxH)	11.18" x 11.18" (283.9mm x 283.9mm)
Speaker Mounting Depth (D)	3.78" (96.1mm)
Mounting Depth + Shallow Encl. (D)	3.92" (99.6mm)
Mounting Depth + Deep Encl. (D)	5.92" (150.4mm)
Cut-Out Dimensions (Dia)	10.125" (257mm)
Shipping Weight	20 lbs. (9.0kg)

## LIMITED LIFETIME WARRANTY

Sonance warrants to the first end-user purchaser that this Sonance-brand product ("Product"), when purchased from an authorized Sonance Dealer/Distributor, will be free from defective workmanship and materials for the life of the Product, except for the grille, which is warranted for five (5) years. Sonance will at its option and expense either repair the defect or replace the Product with a new or remanufactured Product or a reasonable equivalent.

**EXCLUSIONS: TO THE EXTENT PERMITTED BY LAW, THE WARRANTY SET FORTH ABOVE IS IN LIEU OF, AND EXCLUSIVE OF, ALL OTHER WARRANTIES, EXPRESS OR IMPLIED, AND IS THE SOLE AND EXCLUSIVE WARRANTY PROVIDED BY SONANCE. ALL OTHER EXPRESS AND IMPLIED WARRANTIES, INCLUDING THE IMPLIED WARRANTIES OF MERCHANTABILITY, IMPLIED WARRANTY OF FITNESS FOR USE, AND IMPLIED WARRANTY OF FITNESS FOR A PARTICULAR PURPOSE ARE SPECIFICALLY EXCLUDED. No one is authorized to make or modify any warranties on behalf of Sonance.**

The warranty stated above is the sole and exclusive remedy and Sonance's performance shall constitute full and final satisfaction of all obligations, liabilities and claims with respect to the Product.

**IN ANY EVENT, SONANCE SHALL NOT BE LIABLE FOR CONSEQUENTIAL, INCIDENTAL, ECONOMIC, PROPERTY, BODILY INJURY, OR PERSONAL INJURY DAMAGES ARISING FROM THE PRODUCT, ANY BREACH OF THIS WARRANTY OR OTHERWISE.**

This warranty statement gives you specific legal rights, and you may have other rights which vary from state to state. Some states do not allow the exclusion of implied warranties or limitations of remedies, so the above exclusions and limitations may not apply. If your state does not allow disclaimer of implied warranties, the duration of such implied warranties is limited to period of Sonance's express warranty. Your Product Model and Description: Sonance Visual Experience Speakers and Grilles.

**Additional Limitations and Exclusions from Warranty Coverage:** The warranty described above is non-transferable, applies only to the initial installation of the Product, does not include installation of any repaired or replaced Product, does not include damage to allied or associated equipment which may result for any reason from use with this Product, and does not include labor or parts caused by accident, disaster, negligence, improper installation, misuse (e.g. overdriving the amplifier or speaker, excessive heat or cold or humidity, outdoor installation), or from service or repair which has not been authorized by Sonance.

**Obtaining Authorized Service:** To qualify for the warranty, you must contact your authorized Sonance Dealer/Installer or call Sonance Customer Service at (949) 492-7777, must obtain a return merchandise number (RMA), and must deliver the Product to Sonance shipping prepaid during the warranty period, together with the original sales receipt, or invoice or other satisfactory proof of purchase.

In order to initiate a warranty claim:

1. Contact Sonance Technical Support with a description of the fault, the amplifier's serial number and the date of purchase from an authorized Sonance dealer at: [technicalsupport@sonance.com](mailto:technicalsupport@sonance.com)
2. Sonance Technical Support will follow-up and may request additional troubleshooting.
3. Once a determination has been made on the fault, Sonance Customer Service will follow-up by email. Please have a scanned copy of your Sonance Visual Experience Speaker sales invoice ready to send upon request to document the speaker's warranty status.
4. Sonance Customer Service will provide an RMA number to be included on the shipping label of the packaging. Please send the speaker back in its original factory carton, which has been specifically designed to protect the speaker during transit.

Contact us at: <https://www.sonance.com/company/contact>



©2024 Sonance. All rights reserved. Sonance is a registered trademarks of Dana Innovations. Due to continuous product improvement, all features and specifications are subject to change without notice. For the latest Sonance product specification information visit our website: [www.sonance.com](http://www.sonance.com)

SONANCE · 991 Calle Amanecer · San Clemente, CA 92673 USA · PHONE: (949) 492-7777 · FAX: (949) 361-5151 · Technical Support: (949) 492-7777  
01.22.2024